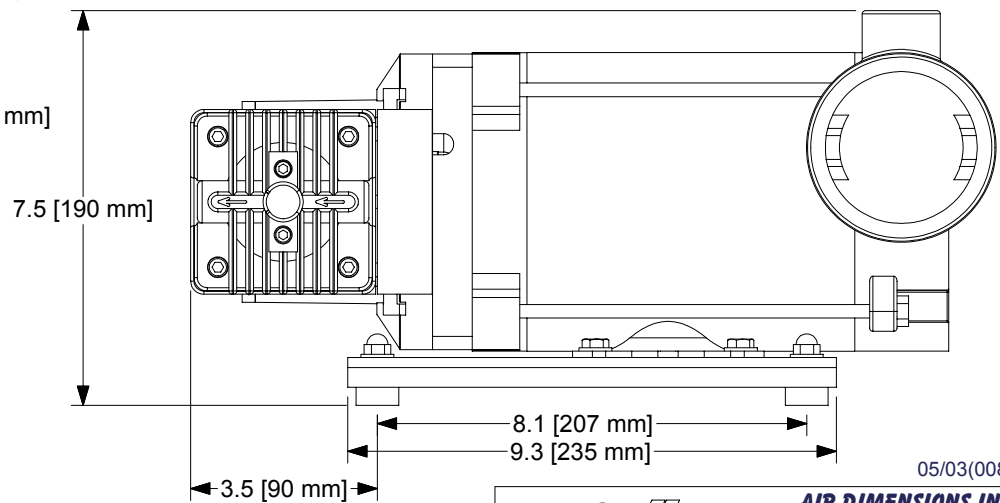


Note: Alternate motor A13022 does not come with junction box.



05/03(0084)



AIR DIMENSIONS INC.
DEERFIELD BEACH, FL. USA 33442
 WWW.AIRDIMENSIONS.COM

DATE 10/31/2001	TITLE Double Head Explosion Proof Pump	
APPROVED BY FDM	DWG NO Rxx2-xx-Exx	MODEL # Rxx2-xx-Exx
		SHEET 1 OF 2