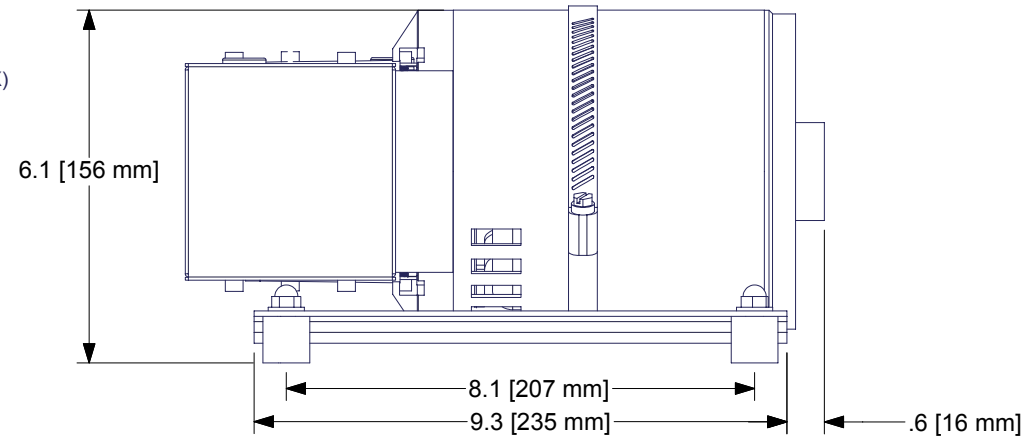
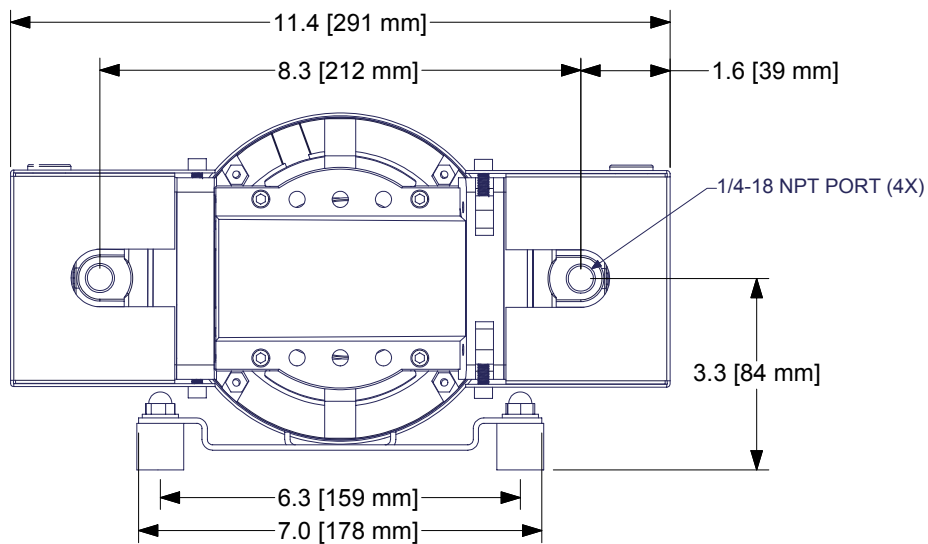
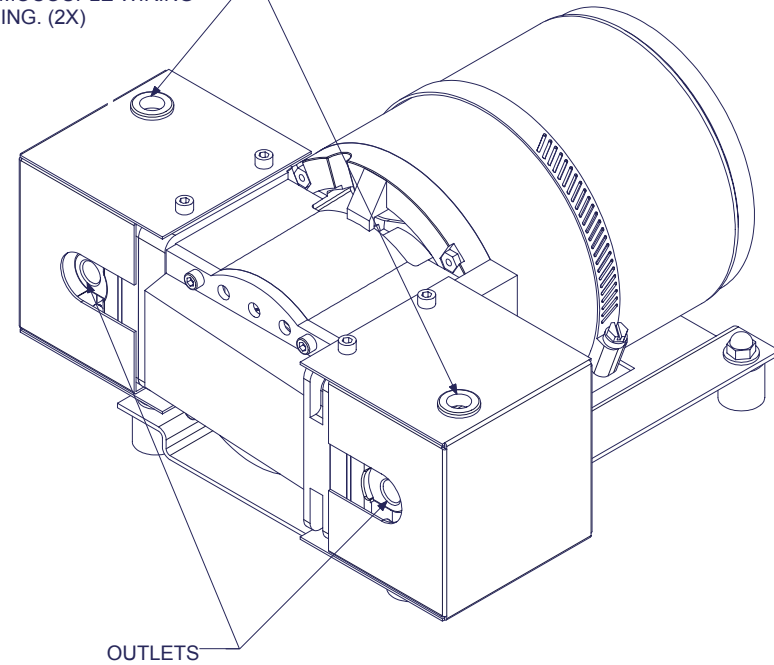



HEATER CARTRIDGE AND THERMOCOUPLE WIRING OPENING. (2X)



09/03 (0137)

		<b>AIR DIMENSIONS INC.</b> <b>DEERFIELD BEACH, FL. USA 33442</b> <small>WWW.AIRDIMENSIONS.COM</small>	
DATE	8/15/2001	TITLE	Double Heated Head Dia-Vac
APPROVED BY		DWG NO	Rxx2-xx-Axx-M
FDM		MODEL #	Rxx2-xx-Axx-M
			SHEET 1 OF 2