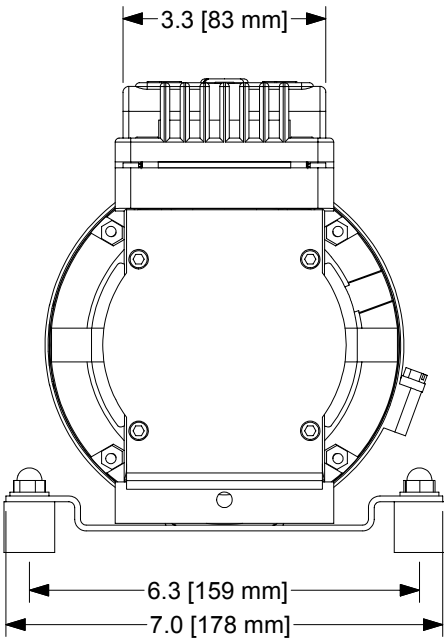
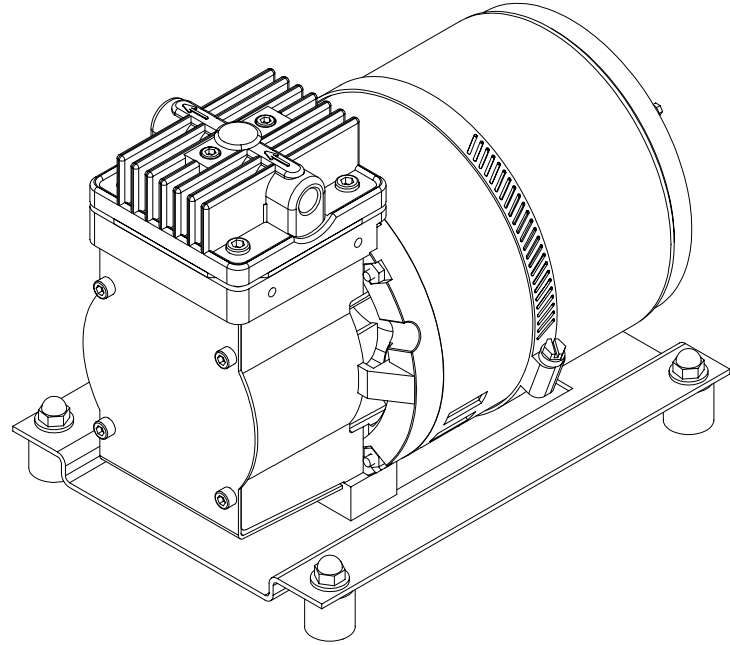


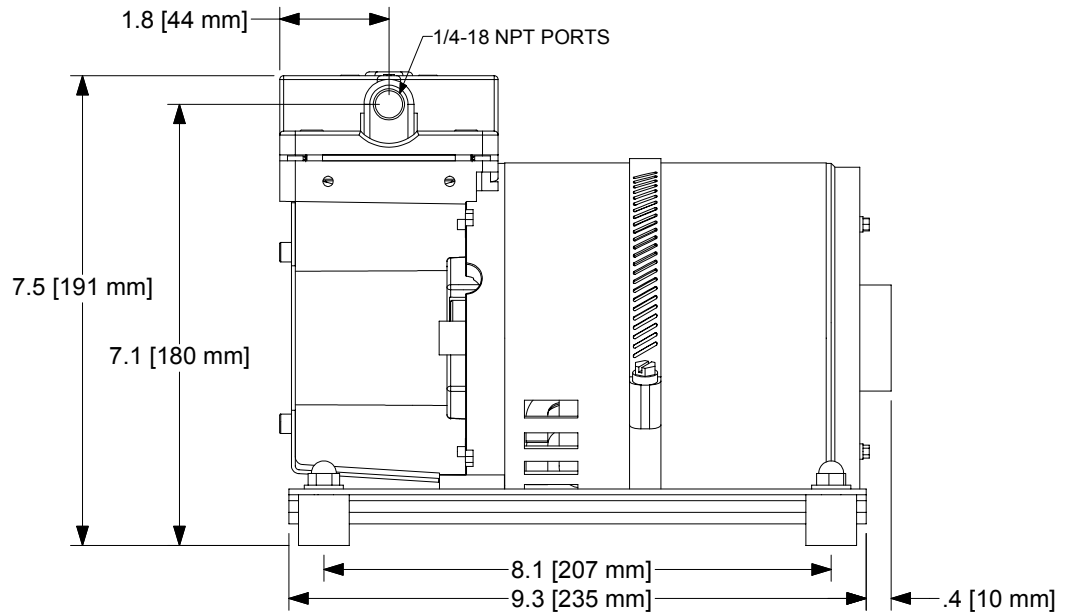
9.8 [249 mm]



3.3 [83 mm]

6.3 [159 mm]

7.0 [178 mm]



1.8 [44 mm]

1/4-18 NPT PORTS

7.5 [191 mm]

7.1 [180 mm]

8.1 [207 mm]

9.3 [235 mm]

.4 [10 mm]

05/03 (0084)



**AIR DIMENSIONS INC.**  
**DEERFIELD BEACH, FL. USA 33442**  
 WWW.AIRDIMENSIONS.COM

DATE 8/15/2001	TITLE Single Head Dia-Vac	
APPROVED BY FDM	DWG NO Rxx1-xx-Axx	MODEL # Rxx1-xx-Axx
		SHEET 1 OF 2