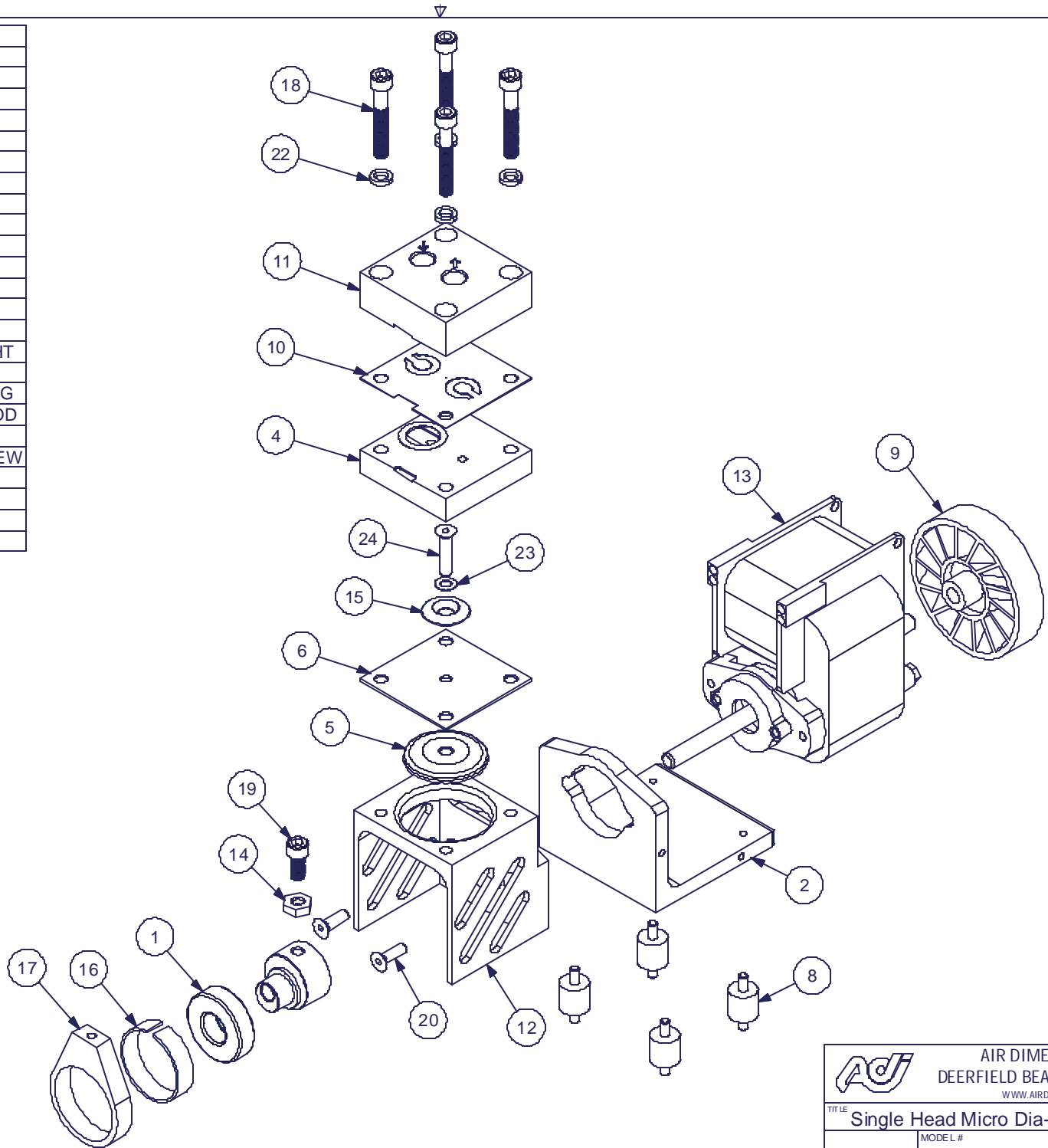


Parts List			
ITE	QTY	PART #	DESCRIPTION
1	1	A02411	BEARING
2	1	A02441	BASE
3	1	A02444	BRACKET
4	1	A02465	VALVEBODY
5	1	A03461	CAP
6	1	A04401	DIAPHRAGM
7	1	A05401	ECCENTRIC
8	4	A06401	FOOT
9	1	A06403	FAN
10	1	A07411	GASKET
11	1	A08403	HEAD
12	1	A08461	HOUSING
13	1	A13401	MOTOR
14	1	A14401	COUNTERWEIGHT
15	1	A16461	PLATE
16	1	A18402	TOLERANCE RING
17	1	A18461	CONNECTING ROD
18	4	A19405	HEAD SCREW
19	1	A19411	ECCENTRIC SCREW
20	2	A19418	SCREW
22	4	A23402	WASHER
23	1	A23461	WASHER
24	1	A19467	PLATE SCREW

ALTERNATE PARTS	
PART #	DESCRIPTION
A02460	VALVEBODY - ALUM TFE CO
A02465	VALVEBODY - 316ss
A02466	VALVEBODY - ALUM
A02468	VALVEBODY HEATED - ALUM
A02469	VALVEBODY - 316ss TFE CO
A02473	VALVEBODY HEATED - ALUM TFE CO
A02475	VALVEBODY HEATED - 316ss
A02477	VALVEBODY HEATED - 316ss TFE CO
A02481	VALVEBODY - KYNAR (PVDF)
A03411	HEATER - 115v 25 WATT
A03412	HEATER - 115v 50 WATT
A03413	HEATER - 220v 35 WATT
A04401	DIAPHRAGM - TEFLON/EPDM
A04402	DIAPHRAGM - EPDM
A04461	DIAPHRAGM - 2 PLY TEFLON
A08403	HEAD - 316ss
A08404	HEAD - ALUM
A08407	HEAD - 316ss TFE CO
A08408	HEAD - ALUM TFE CO
A08480	HEAD - KYNAR (PVDF)
A16461	PLATE - 316ss
A16462	PLATE - ALUM
A16465	PLATE - 316ss TFE CO
A16466	PLATE - ALUM TFE CO
A16482	PLATE - KYNAR (PVDF)
A19467	SCREW - 316ss
A19472	SCREW HEATED - 316ss TFE CO
A19473	SCREW ELEV - 316ss TFE CO
A19474	SCREW - 316ss TFE CO
A19476	SCREW HEATED - 316ss
A19477	SCREW ELEV - 316ss



 AIR DIMENSIONS INC. DEERFIELD BEACH, FL. USA 33442 WWW.AIRDIMENSIONS.COM		
TITLE Single Head Micro Dia-Vac		
4/26/2001	MODEL # Bxx1-xx-Axx	DWG NO Bxx1-xx-Axx